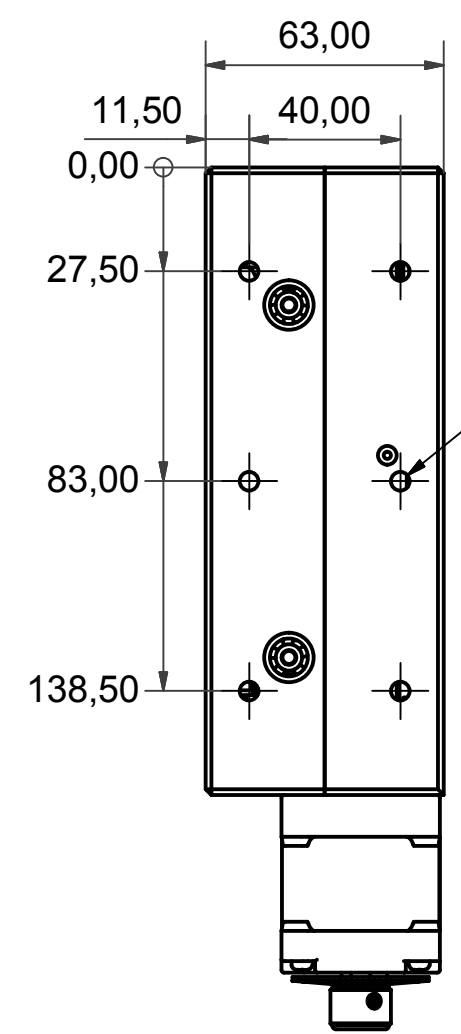
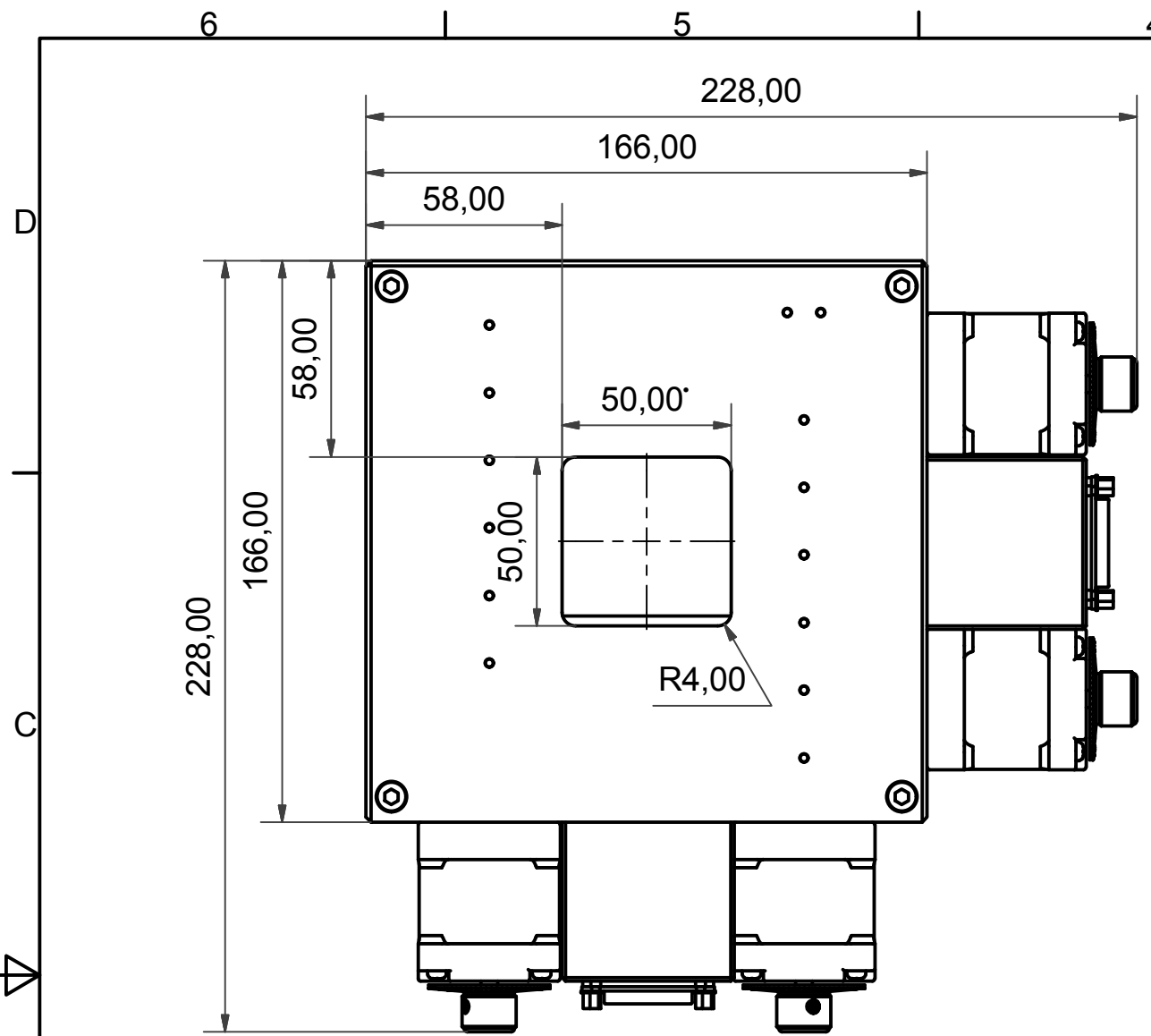
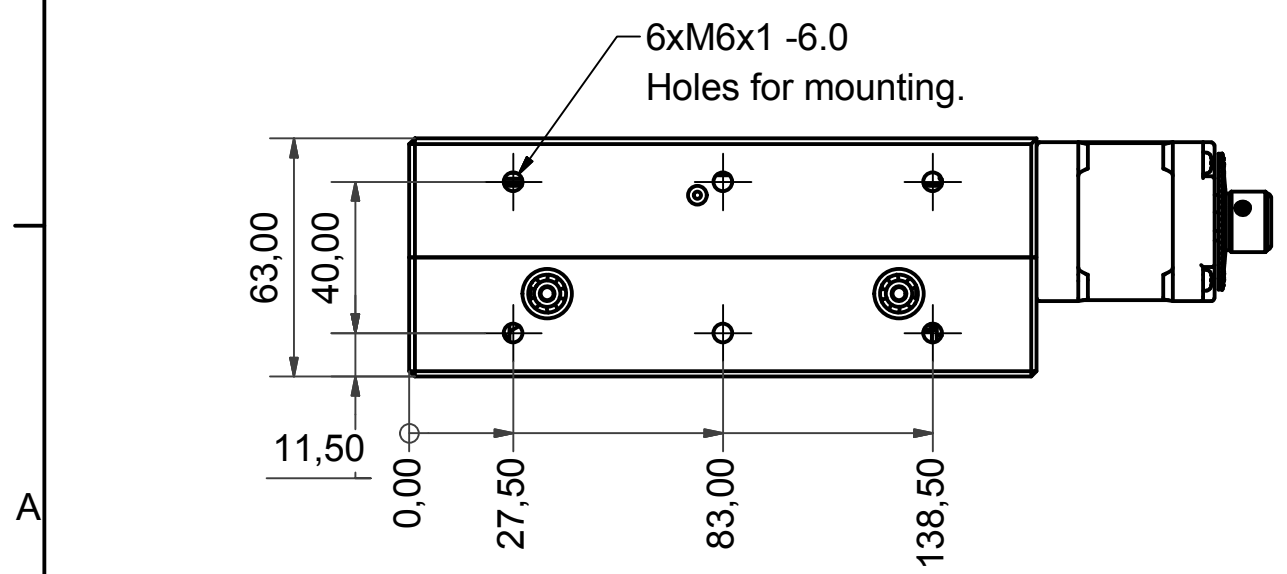
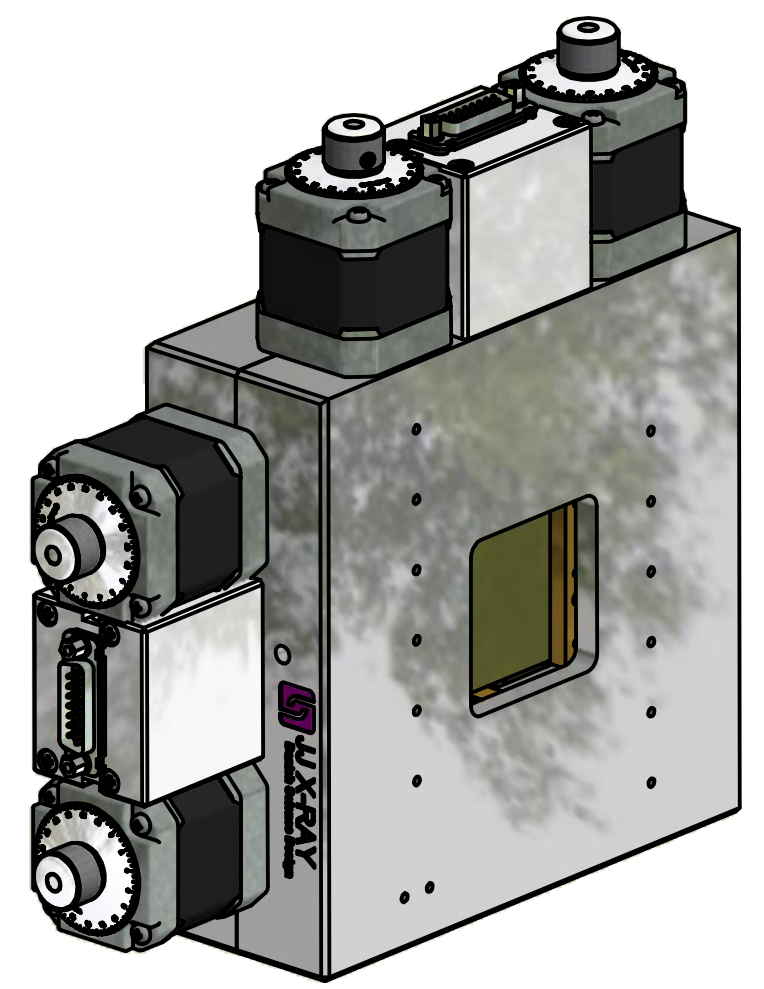


REV	DATE	APPROVED	Changes
0	15-09-2015	HBP	




6xM6x1 - 6.0  
Holes for mounting.



6xM6x1 -6.0  
Holes for mounting.

-All dimension are in mm.  
-All Tolerances are accordance with ISO 2768-1 class f, unless otherwise specified.  
**Tolerances:**  
-Internal corners R0.2 max.  
-Break edges 0,1 - 0,25  
-√Rz 0,4 max  
-Remove all sharp edges and burrs

Date.	Rev.	QTY.
14-09-2015	0	
Designer	Mass.	
JJ X-Ray A/S	N/A	
Surface Treatment.		
CAD Drawing Number.		
IB C50-Air		



**JJ X-RAY**  
Danish Science Design

Project Name:  
**JJ X-Ray IB C50-Air slit**

Title:  
**IB C50-Air slit**

Remarks.
Scale:
Drawing Size:
A3