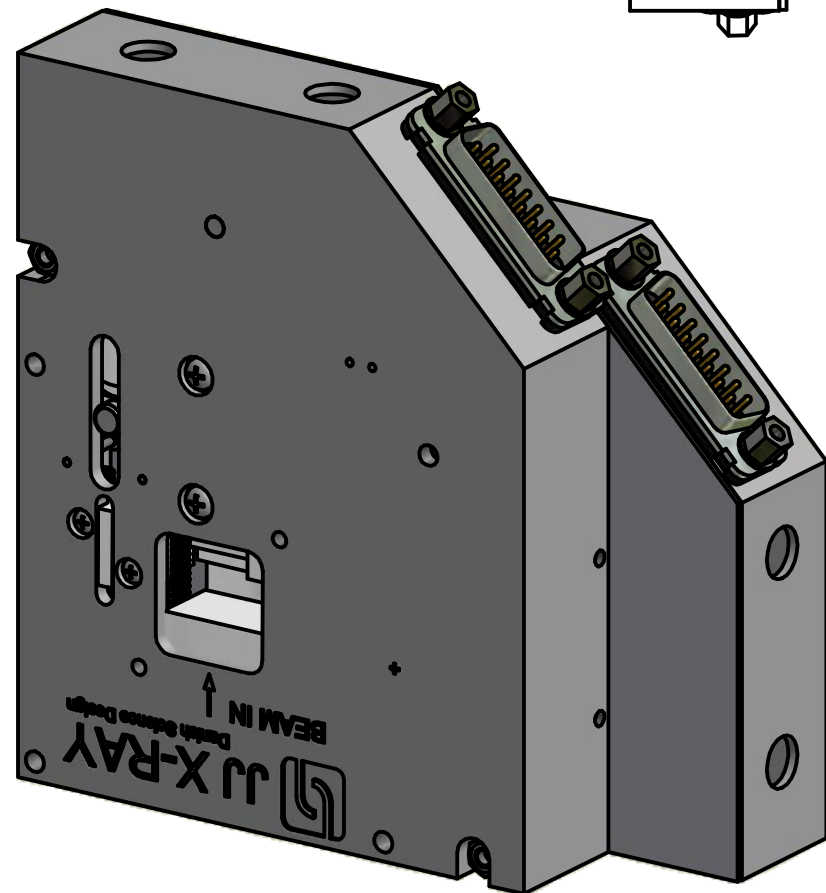
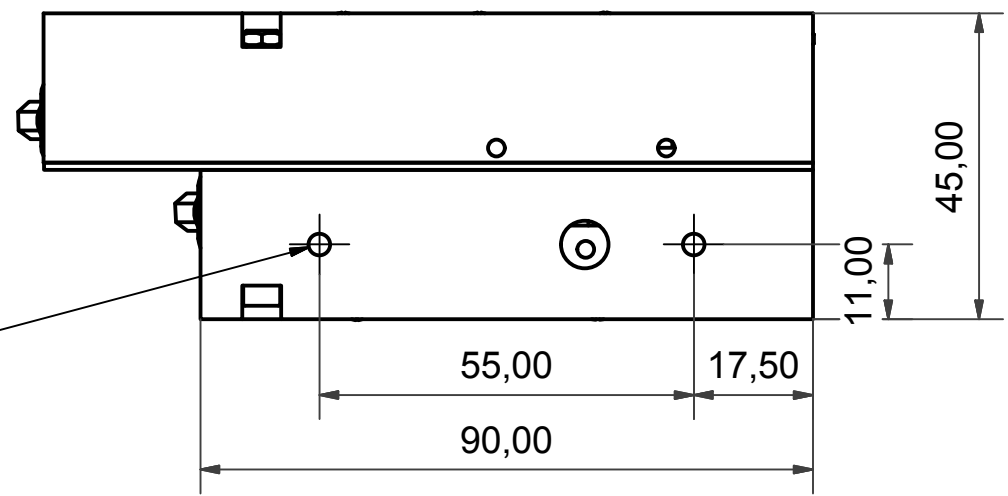


4xM4x0.7 - 6H



-All dimension are in mm. -All Tolerances are accordance with ISO 2768-1 class f, unless otherwise specified. Tolerances: -Internal corners R0.2 max. -Break edges 0,1 - 0,25 -√Rz 0,4 max -Remove all sharp edges and burrs	Date.	Rev.	QTY.		Remarks.
	01-10-2012	0	1		
	Designer.	Mass.	Project Name.		Scale:
	JJ X-RAY A/S	N/A	JJ X-RAY AT-F7-Air Slit		⊕ ⊞ A3
Surface Treatment.	Title.		CAD Drawing Number		
	AT-F7-Air Slit		Complete AT- F7-AIR		