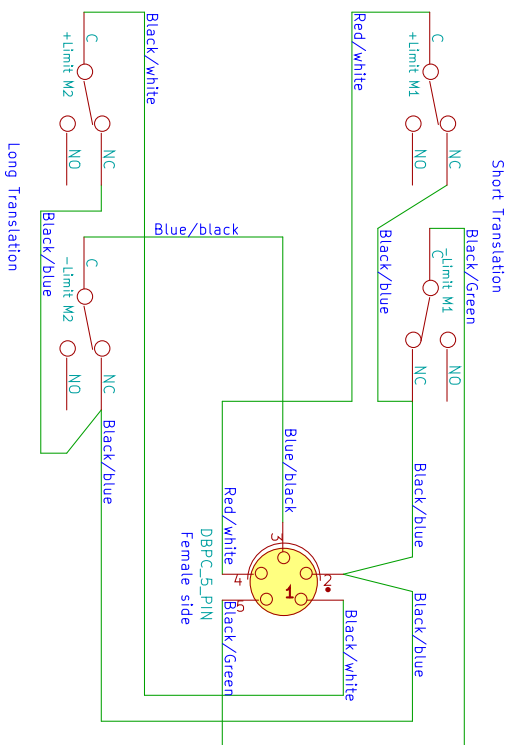
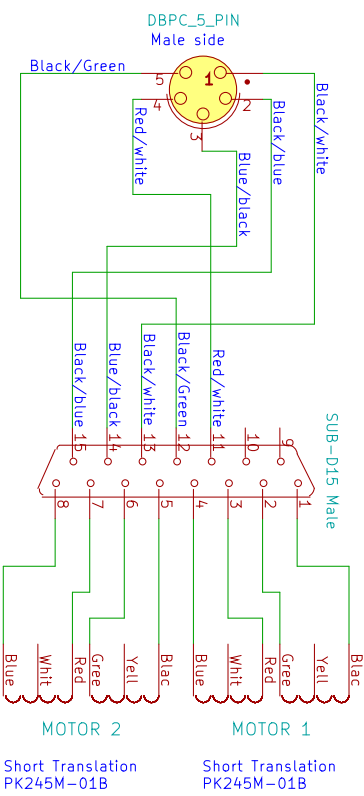


Inside pinholder



Motor flange



JJ X-Ray Michael Andersen	
File: Pinhole_Aperture_17054.sch	
Sheet: /	
Title: Pinhole_Aperture_17054	
Size: A4	Date: 21 sep 2017
KICad E.D.A. eschema (2013-05-16 BZR 4016)-stable	
	Rev: 1.0
	Id: 1/1