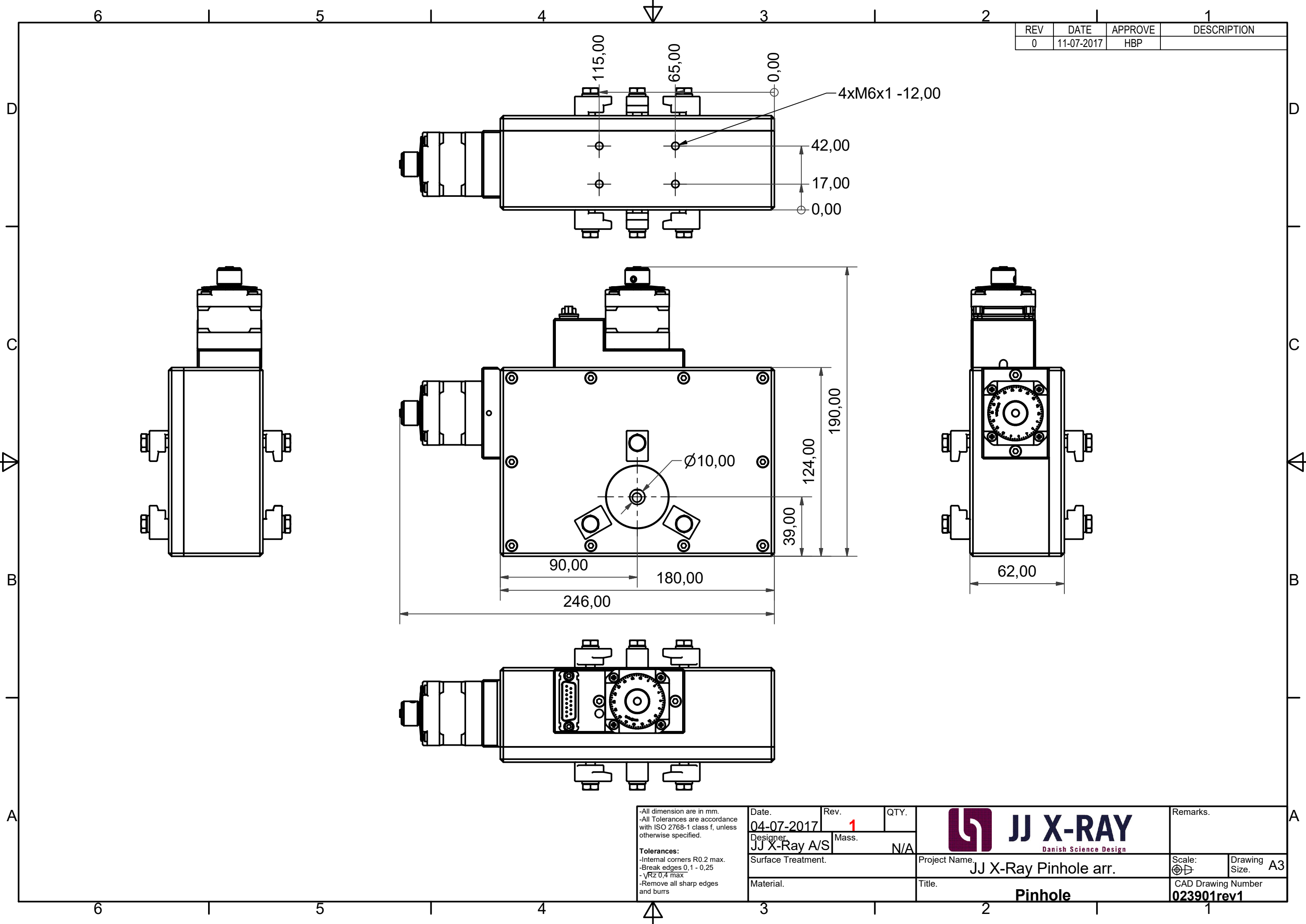


REV	DATE	APPROVE	DESCRIPTION
0	11-07-2017	HBP	



-All dimension are in mm.  
 -All Tolerances are accordance with ISO 2768-1 class f, unless otherwise specified.  
**Tolerances:**  
 -Internal corners R0.2 max.  
 -Break edges 0,1 - 0,25  
 - $\sqrt{Rz}$  0,4 max  
 -Remove all sharp edges and burrs

Date.	04-07-2017	Rev.	1	QTY.	
Designer	JJ X-Ray A/S	Mass.	N/A		
Surface Treatment.					
Material.					

**JJ X-RAY**  
 Danish Science Design

Project Name: JJ X-Ray Pinhole arr.

Title: Pinhole

Remarks.	
Scale:	1:1
Drawing Size:	A3
CAD Drawing Number	023901rev1