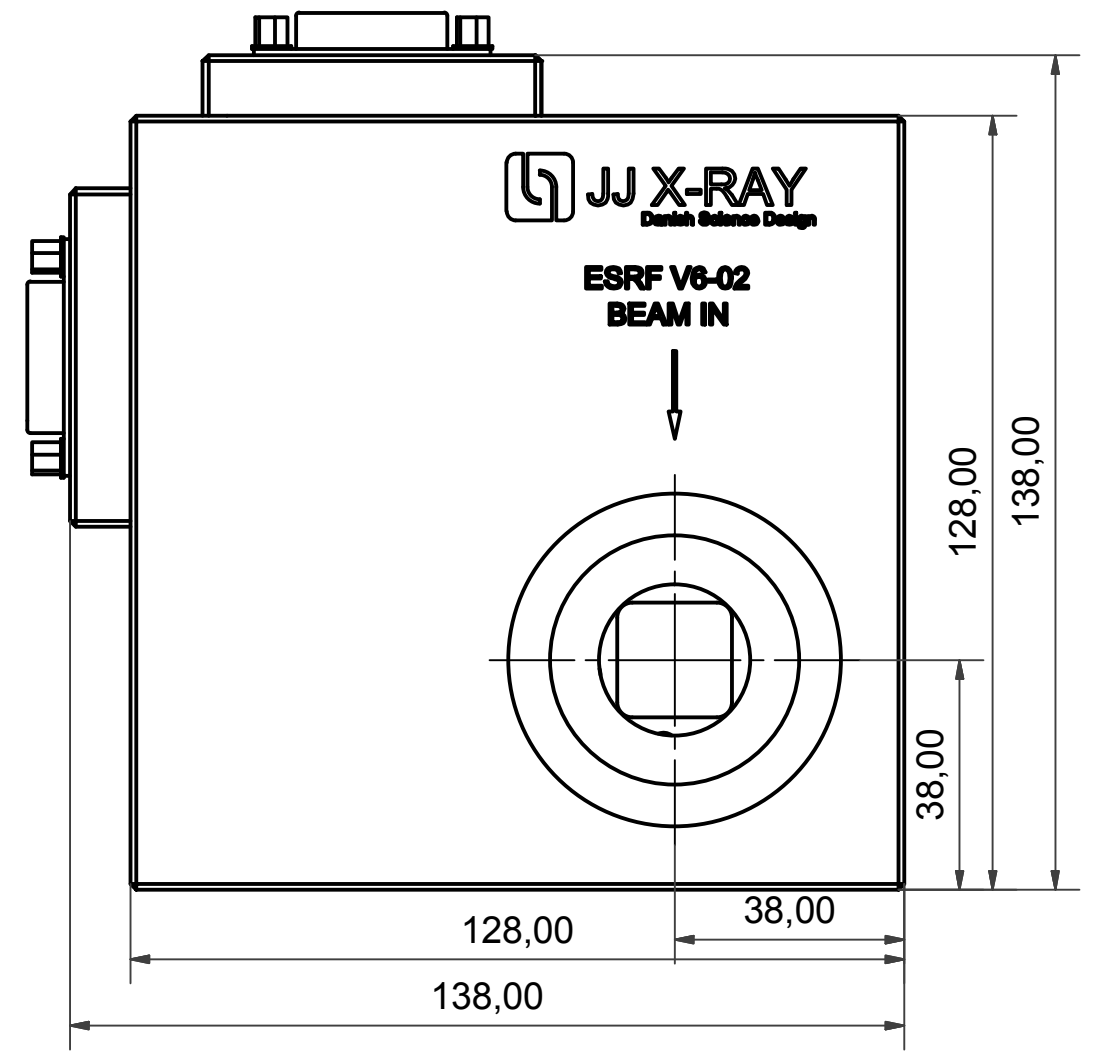
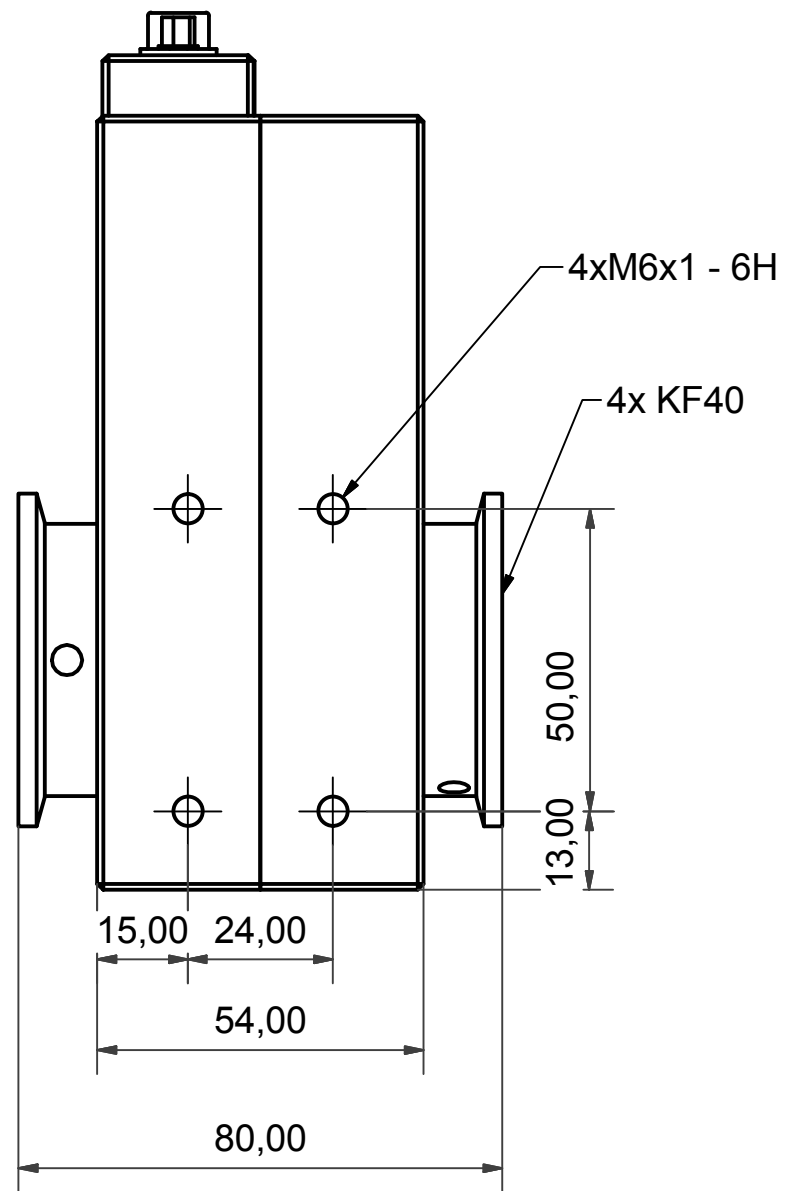


4xM6x1 - 6H



Date.	Pc.	Pos.		Remarks.
29-01-2003				
Constr.			Project	Scale:
JJ X-RAY A/S			JJ X-Ray AT7HV Slit	A3
Mat. and surface			Name.	Complete AT7HV