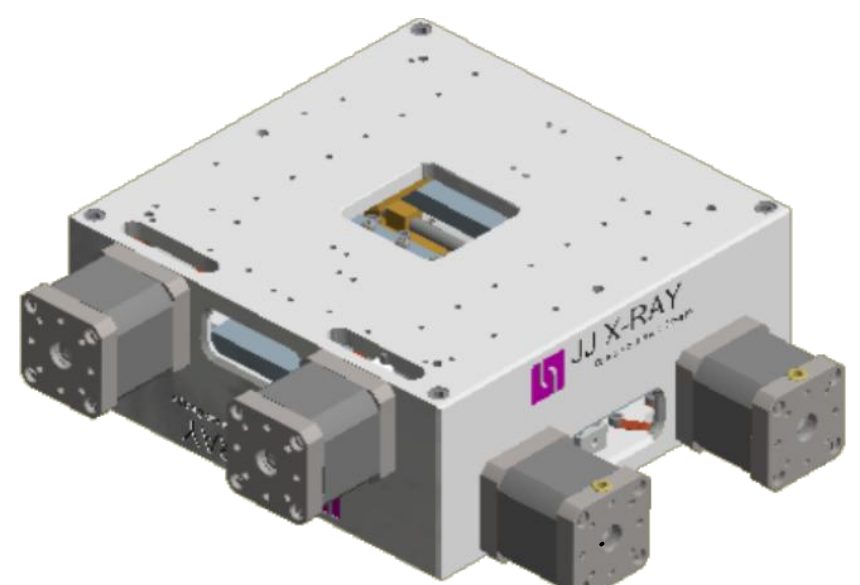
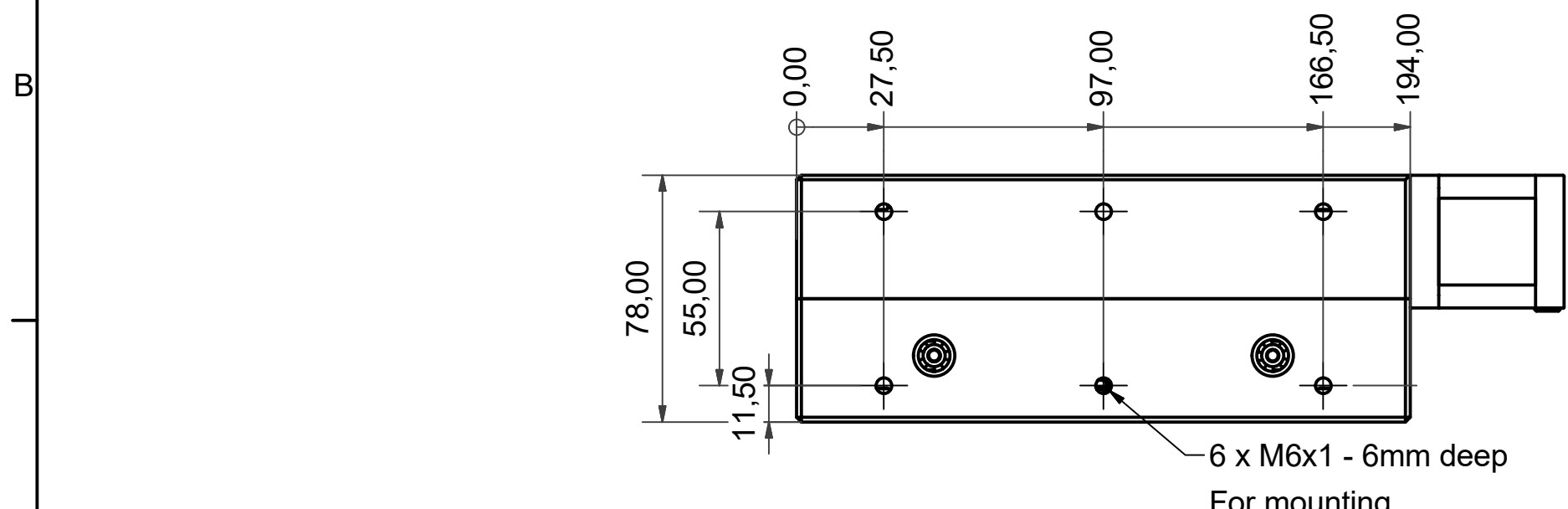
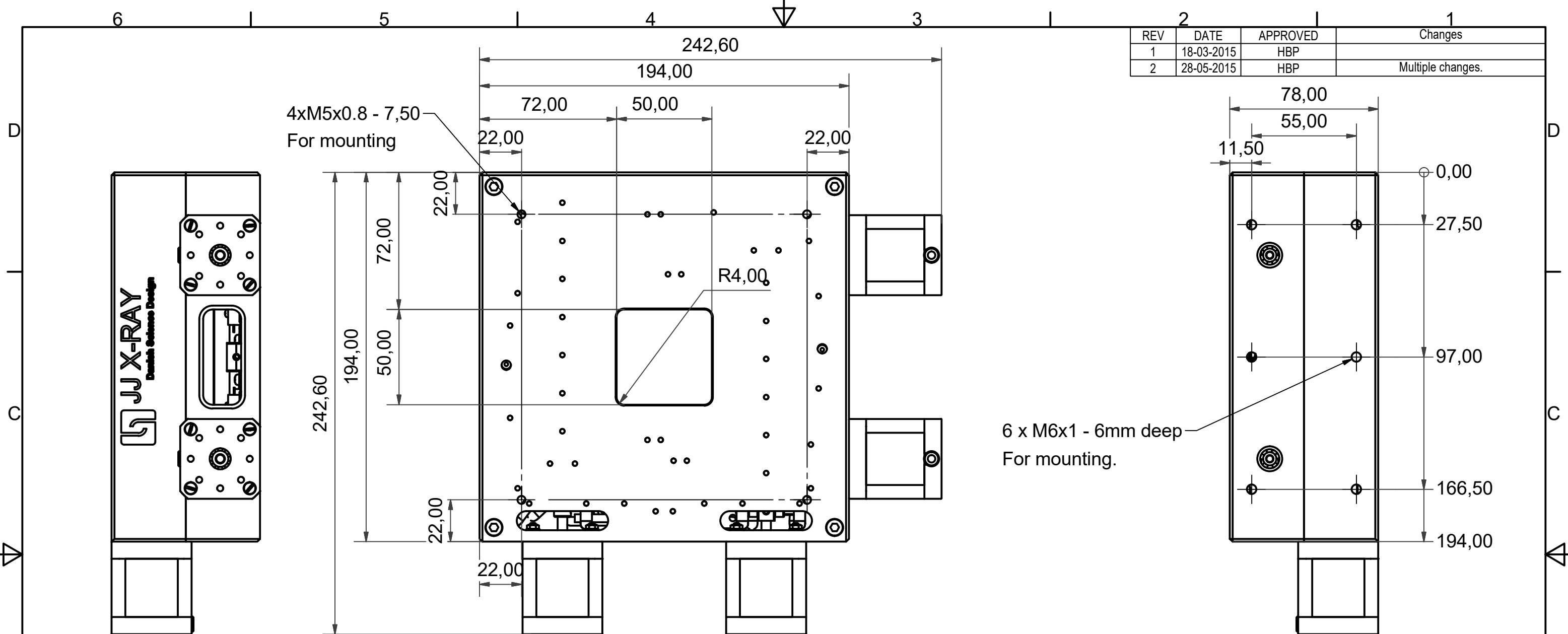


REV	DATE	APPROVED	Changes
1	18-03-2015	HBP	
2	28-05-2015	HBP	Multiple changes.



-All dimension are in mm. -All Tolerances are accordance with ISO 2768-1 class f, unless otherwise specified. Tolerances: -Internal corners R0.2 max. -Break edges 0,1 - 0,25 -√Rz 0,4 max -Remove all sharp edges and burrs	Date.	Rev.	QTY.		Remarks.
	18-03-2015	2			
	Designer.	Mass.	Project Name.		
	JJ X-RAY A/S	N/A	IB C50 special Vac prep.		
Surface Treatment.	Title.		Scale:	Drawing Size.	
	14022003	IB C50 vac. prep.		1	A3